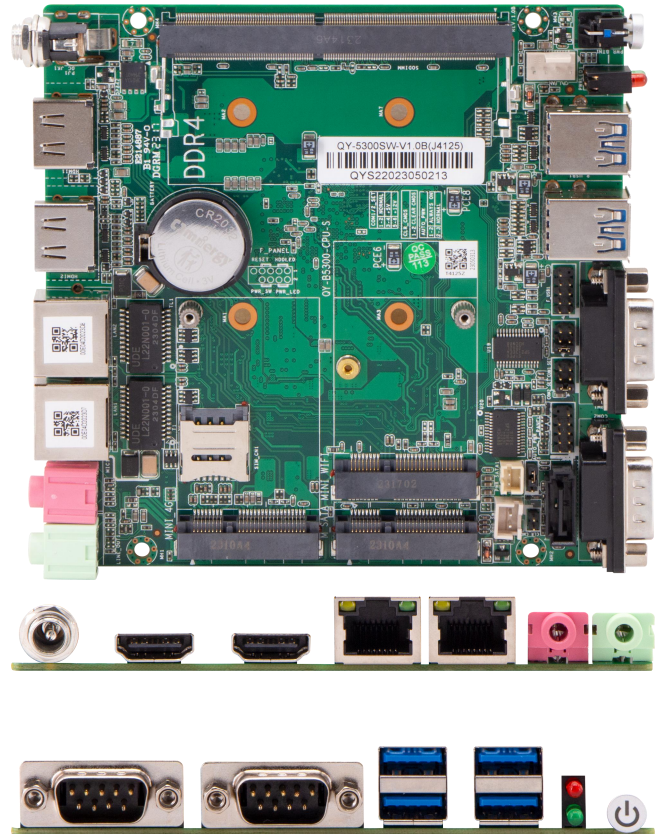


QY-5300SW-V1.0B(J4125)

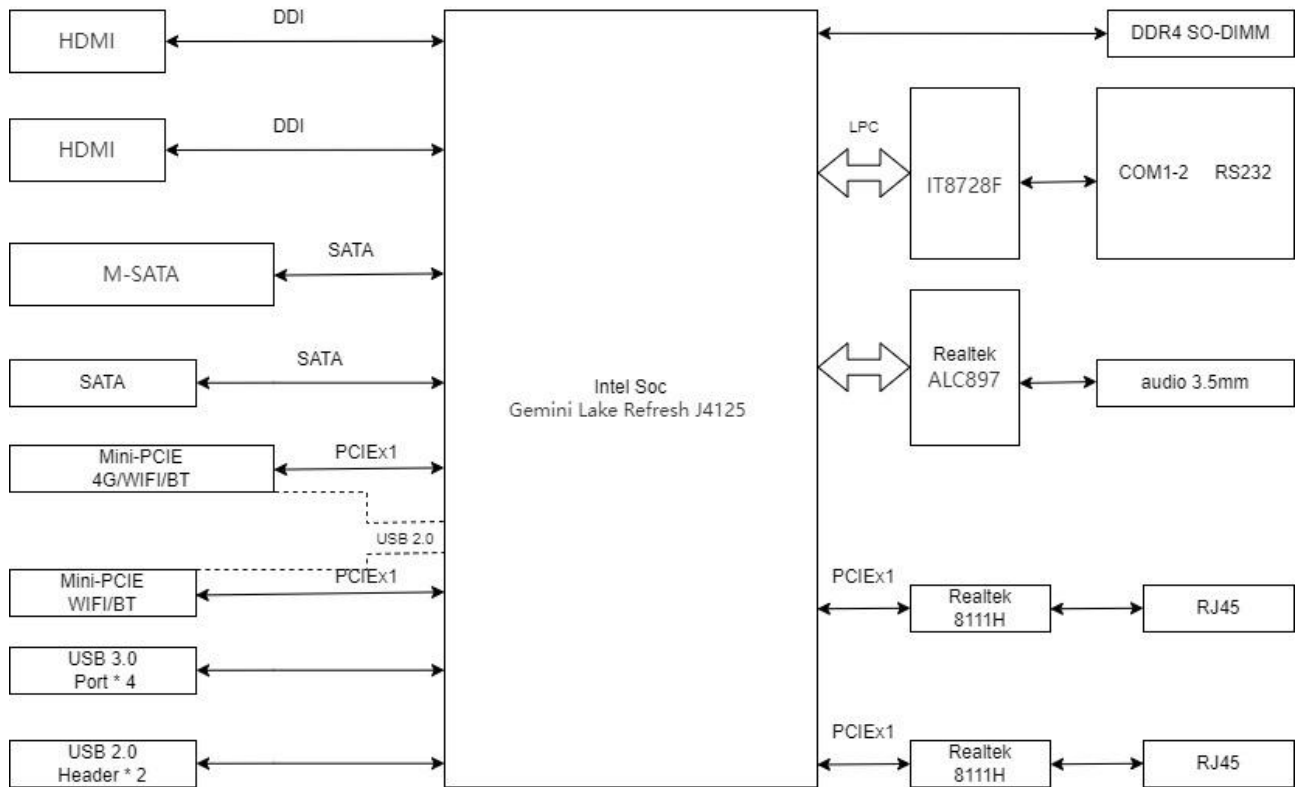
- Intel Celeron™ J4125 CPU
- 2*COM, 4*USB3.0, 2*USB2.0, 2*Gigabit LAN
- 2*HDMI(Support two-out-of-three display mode.)
- 2*Mini-PCIe (4G/Wifi/BT)
- 1*M-SATA
- Mini-ITX, DC 12V Power Input



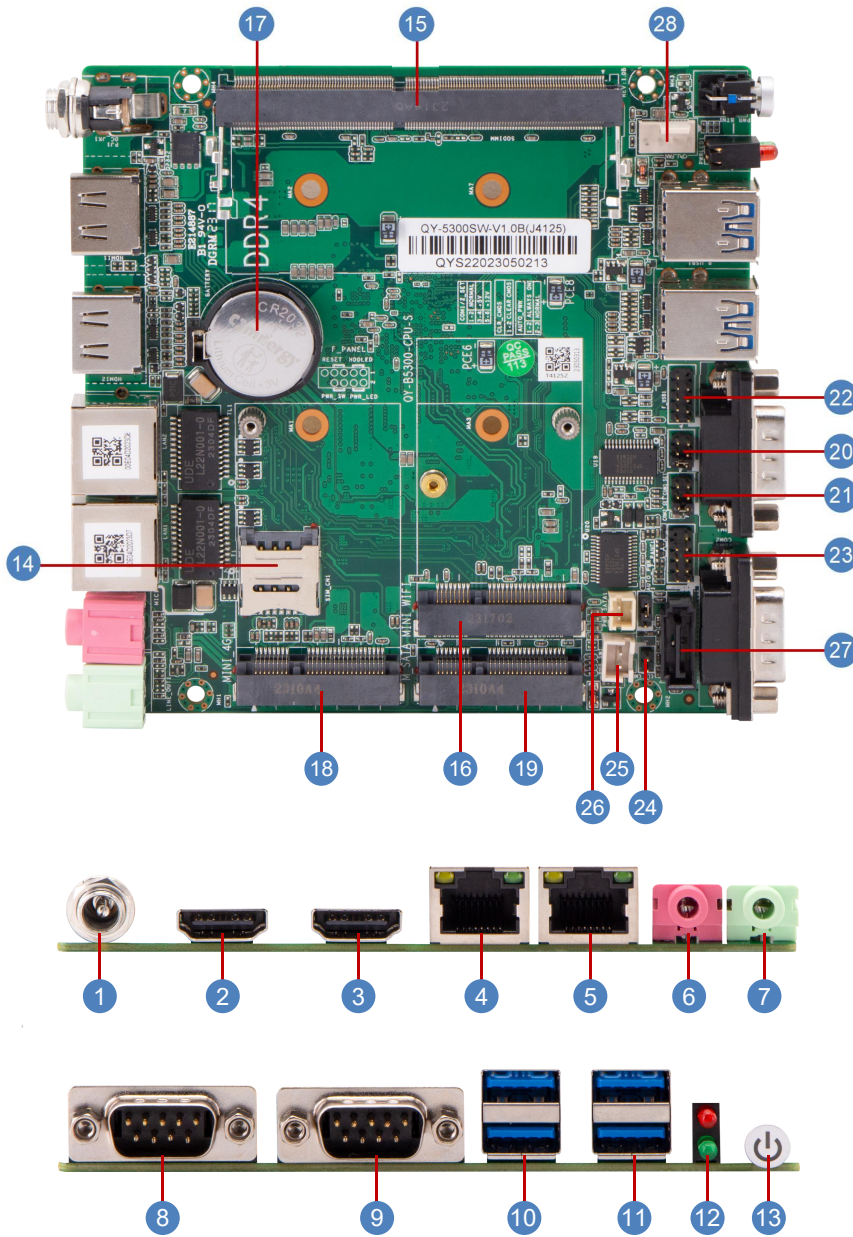
1. Specification

Model	QW-5300W-V1.0
CPU	Intel® Celeron™ J4125, up to 2.70G, Duad-core
Display	Support quad display simultaneously: 2* HDMI: resolution up to 2560 * 1440@60Hz
Memory	DDR4-2400,1 * SO-DIMM, up to 8GB *Note:Due to the limitation of Windows 32-bit operating system, if more than 4 GB of memory is installed, it is actually.The memory capacity displayed on will be less than 4 GB.
Storage	1 * SATA3.0 7P Connector 1 * Mini-SATA
Expansion Interface	2 * Mini-PCIe (Wifi supported with 4G/BT selectable)
Ethernet	2 * Realtek® 1Gbps PCIe Ethernet Controller, RJ45
Audio	Realtek® HDA Codec, with MIC/Line-out and Amplifier 1 * Line-Out/MIC Jack
COM	2 * RS232 Header
USB	4 * USB3.0 (Rear I/O, TYPE-A) 2 * USB2.0 (Internal, Header)
Other Ports	1 * Micro SIM Card Slot 1 * CPU FAN Header 1 * Front Panel Header 1 * CMOS Clear Jumper
System	Windows 10/11, Linux
Temperature	Storage: -30~75°C Operating: -20° ~60°C
BIOS	AMI UEFI BIOS
Power Input	DC 12V
Factor	122mm * 122mm

2. Data Flow



3. Marking instruction



Connector&Header

1	DC12V Power Input Connector
2	HDMI Connector
3	HDMI Connector
4	LAN Connectors
5	LAN Connectors
6	Mic-in Connector
7	Line-out Connector
8	COM2 Connectors
9	COM1 Connectors
10	USB3.0 Connectors
11	USB3.0 Connectors
12	HHD_LED/PWR_LED
13	Switching Push-Button
14	SIM Card Slot
15	DDR4 SO-DIMM Slot
16	Mini PCI-WIFI Slot (WIFI/BT)
17	CMOS battery Holder
18	Mini PCI-4G_CAN Slot (WIFI/4G/BT)
19	M-SATA Connector
20	COM1 PWR Select Jumper
21	COM2 PWR Select Jumper
22	USB Pin Headers
23	Front Panel Pin Header
24	CMOS Clear Jumper
25	Switching Pin Header
26	SATA Power Pin Header
27	SATA 3.0 Connector
28	CPU Fan Header

4. Definition

[1] DC12V Power Input Header(5.5*2.5mm)

Positive inside and negative outside, 5.5mm outer diameter and 2.5mm inner diameter DC power head

[2] HDMI Connector

This socket supports HDMI specifications and can support resolutions up to 1920x1080@60 Hz (the actual supported resolutions will be Depending on the monitor you use), you can connect a monitor that supports HDMI interface to this socket.

[3] HDMI Connector

This socket supports HDMI specifications and can support resolutions up to 1920x1080@60 Hz (the actual supported resolutions will be Depending on the monitor you use), you can connect a monitor that supports HDMI interface to this socket.

[4] LAN Connectors

Two USB3.0 Type-A™ interfaces are on the rear panel, supporting 5Gbps. And can be compatible with USB 2.0 specification. You can connect USB devices to this interface.

[5] LAN Connectors

Two USB3.0 Type-A™ interfaces are on the rear panel, supporting 5Gbps. And can be compatible with USB 2.0 specification. You can connect USB devices to this interface.


[6] Mic-in Connector (pink)

This jack is a microphone connection hole.

[7] Line-out Connector(green)


This jack is an audio output hole and supports audio amplification function. It is recommended to connect headphones and speakers to this jack for better performance. Output audio (the actual effect may vary depending on the device you use).

[8] COM2 Connector

No.	Location	Pin	Definition	Pin	Definition
8		1	DCD	2	RXD
		3	TXD	4	DTR
		5	GND	6	DSR
		7	RTS	8	CTS

		9	COM2_RI		
--	--	---	---------	--	--

[9] COM1 Connector

No.	Location	Pin	Definition	Pin	Definition
9	 <p>COM1</p>	1	DCD	2	RXD
		3	TXD	4	DTR
		5	GND	6	DSR
		7	RTS	8	CTS
		9	COM1_RI		

[10] USB3.0 Connectors

Two USB3.0 Type-A™ interfaces are on the rear panel, supporting 5Gbps. And can be compatible with USB 2.0 specification. You can connect USB devices to this interface.

[11] USB3.0 Connectors

Two USB3.0 Type-A™ interfaces are on the rear panel, supporting 5Gbps. And can be compatible with USB 2.0 specification. You can connect USB devices to this interface.

[12] HHD_LED/PWR_LED

[13] Switching Push-Button

[14] SIM Card Slot (Micro SIM)

[15] DDR4 SO-DIMM Slot

[16] Mini PCI-WIFI Slot(WIFI/BT)

[17] CMOS battery Holder

[18] Mini PCI-4G_CAN Slot (WIFI/4G/BT)

[19] M-SATA Connector

[20] COM1 PWR Select Jumper(1*3 Pin 2.00mm)

No.	Location	Pin	Definition	Pin	Definition
21	COM1 SET	1	COM1-RI-PW(Default)-	2	RI
		3	COM1-RI-PW-	4	+ 5VS
		5	COM1-RI-PW-	6	+ 12VS

Note:

[1] Pin9 of COM1 also can be 0/5/12V(COM1 PWR Select Select Jumper)

[21] COM2 PWR Select Jumper(1*3 Pin 2.00mm)

No.	Location	Pin	Definition	Pin	Definition
21	COM2 SET	1	COM1-RI-PW(Default)-	2	RI
		3	COM1-RI-PW-	4	+ 5VS
		5	COM1-RI-PW-	6	+ 12VS

Note:

[1] Pin9 of COM2 also can be 0/5/12V(COM2 PWR Select Select Jumper)

[22] USB Pin Headers (2*5 Pin 2.0mm)

No.	Location	Pin	Definition	Pin	Definition
22	F_USB1	1	+5VS	2	+5VS
		3	Data0-	4	Data1+
		5	Data0+	6	Data1+
		7	GND	8	GND
				10	N/C

[23] Front Panel Pin Header (2*5 Pin 2.00mm)

No.	Location	Pin	Definition	Pin	Definition
23	F_PANEL	1	HDD_LED+	2	PWR_LED+
		3	HDD_LED-	4	GND
		5	GND	6	PWE_SW
		7	RESET	8	GND
		9	N/C		

[24] CMOS Clear Jumper (1*2 Pin 2.00mm)

No.	Location	Pin	Definition	Pin	Definition
24	JCMOS1	1	Clear CMOS	2	GND

[25] Switching Pin Header (1*6 Pin 2.54mm)

No.	Location	Pin	Definition	Pin	Definition
25	JCMOS1	1	PWR_SW	2	GND

[26] SATA Power Pin Header (2*15 Pin 2.00mm)

No.	Location	Pin	Definition	Pin	Definition
26	PWR_SATA1	1	GND	2	+5VS

[27] SATA 3.0 Connector

[28] CPU Fan Header(4*1 Pin 2.54mm)

No.	Location	Pin	Definition	Pin	Definition
28	CPU_FAN1	1	GND	2	+ 12V
		3	FAN Speed Detection	4	FAN Speed Control

【 END】

免责声明

本手册为北京启阳科技有限公司版权所有，未经许可不得以任何方式复制。本手册内容并不代表本公司的承诺，由于本公司对产品的不断改进，本公司保留对此手册升级和更改的权利，恕不另行通知。以实物为准，对于任何因安装、使用不当而导致的直接、间接、有意或无意的损坏及隐患概不负责。

保修条款：

用户如另有要求，以双方签署的合同为准。

商标

本手册使用的所有商标均为各自的商标所有者所有：

AMI® 是AMI公司的注册商标。

Intel®, Celeron®, Pentium®, ATOM® 是Intel公司的注册商标。

Realtek® 是 Realtek公司的注册商标。

PS/2和OS/2 是 International Business Machines 公司的注册商标。

Windows 7, windows 8, windows 10, windows 11是 Microsoft 公司的注册商标。

安全提示

1. 产品使用前，务必请仔细阅读安全手册，并妥善保管以便日后参考。
2. 当您给设备供电前，请确认电源电压是否符合设备要求。
3. 为避免人体被电击或产品被损坏，用湿抹布清洁设备前，请从插座上拔下电源线。
4. 请不要使用液体或去污喷雾剂去清洗设备。
5. 请不要让任何液体流入或溅入到设备内部，以免引起短路或者火灾。
6. 对于使用电源线的设备，设备周围必须有容易接触到的电源插座。
7. 请不要在潮湿环境中使用设备。
8. 请在安装前确保设备放置在可靠的平面上，意外跌落或翻倒可能会导致设备故障或损坏。
9. 当需连接或拔除任何信号线前，须确定所有的电源线事先已被拔掉。
10. 为避免频繁开关机对产品造成不必要的损伤，关机后，应至少等待30秒后再开机。
11. 如果长时间不使用设备，请断开电源线，避免设备被瞬间电压损坏。
12. 如果要进行升级或拆装等动作，须在静电放电工作台上完成所有操作，因为有些精密器件对静电放电（ESD）很敏感。
13. 保证系统良好的散热与通风。
14. 请不要自行拆卸设备，为了安全起见，此设备只能交由专业维修人员。